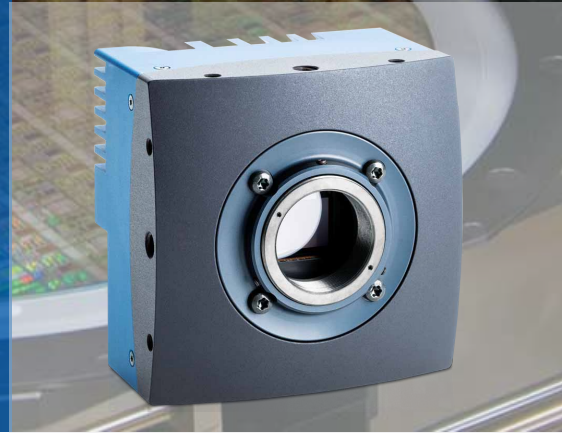




GigaSens Computer Vision CXP Camera

CV2.0MP-2000 FPS-CXP12

World's Most Powerful CXP Camera



Camera Applications



Machine Vision
Inspection & Automation



Additive Manufacturing



Industrial & Scientific Research



Military

Best-In-Class Sensor

3x larger with 3x more sensitivity than 2/3" sensors, the 4/3" Alexima LUX19HS sensor produces best-in-class images. 2,000 HD frames/second with 10-bit precision. Using ROI, performance exceeds 90,000 frames/second.

1,600 DSPs for Real-Time Computations

Massive FPGA enables real-time vision processor. Available resources: 1,600 DSP slices, 329 Block RAMS, and 160K LUTs.

2GB DRAM On-Board Memory

2GB of DRAM enables multi-frame calculation and storage of 1,000 frames of HD data.

CXP-12 Interface

CoaXPRESS v2.0 (CXP-12) provides speeds up to 12.5 Gbps, doubling cable bandwidth of the previous generation.

DIY or Custom OEM

Program the FPGA yourself with the HDK or have us do it for you. Watch your algorithms stream in the CV 2.0 camera!

GigaSens™ CV2.0-2000-CXP2 Camera

SPECIFICATIONS (MONOCHROME/COLOR)

Resolution	2 Mpix
Active pixels	1920 x 1080px
Interface	CoaXPress @ 4 x 12.5 Gbit/s
Frame rate (8 bit)	2220 fps (full frame)
Sensor	LUX19HS
Sensor type	CMOS global shutter
Sensor format	4/3"
Active sensor area (H x V)	17.50 x 11.80 mm
Pixel size	10 x 10 μ m
Sensitivity (mono)	20 V/lux*s @ 550 nm
Pixel data width	10 / 8 bit
Dynamic range	60 dB
Shutter time (steps)	1 μ s
Shutter time (range)	2 μ s - 1 s

Max. Trigger frequency	300 kHz
Max. Jitter via CXP Trigger	+/- 4 ns
Mount options	C-Mount / F-Mount
Input/Output	
Camera Control	Trigger In / Strobe Out
General Purpose	3 GPIO Signals
Dimensions	
(W x H x L w/o mount)	80 x 80 x 53 mm
Weight (C-Mount)	450 g
Power consumption	11W
Power supply	12 - 24 VDC
Camera body temperature	+5 °C to +50 °C
Shock / Vibration proof	70 g / 7 grms
Conformity	GenICam / CE / RoHS

Frame rates

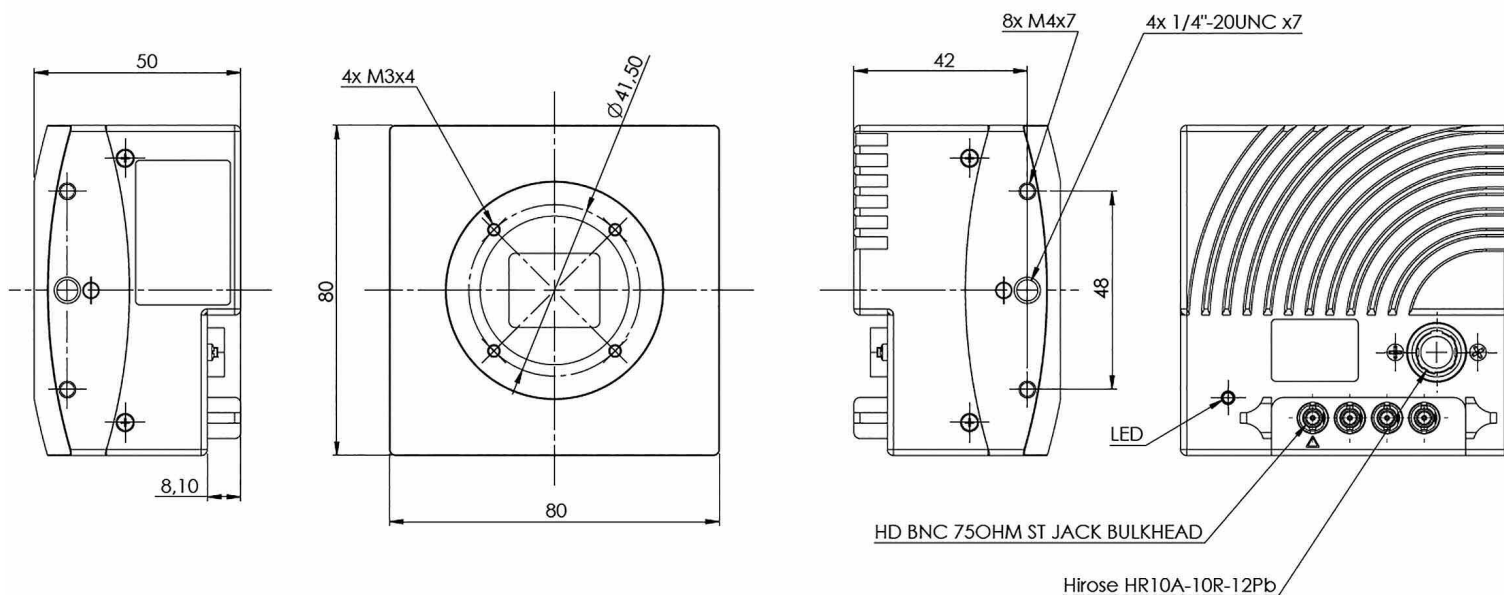
Resolution	Frame rate
1920 x 1080 px	2,220 fps
1280 x 864 px	2,350 fps
1024 x 768 px	3,120 fps
640 x 480 px	4,890 fps
128 x 128 px	16,500 fps

Max. 90,000 fps

Concurrent is a Preferred Technology Partner of

MIKROTRON
High-Speed Vision Solutions

Camera Dimensions



GigaSens

CONCURRENT EDA

Phone: 412-687-8800

5001 Baum Blvd, STE 640

www.concurrenteda.com

© 2020 Concurrent EDA

| info@concurrenteda.com

| Pittsburgh, PA 15213 USA